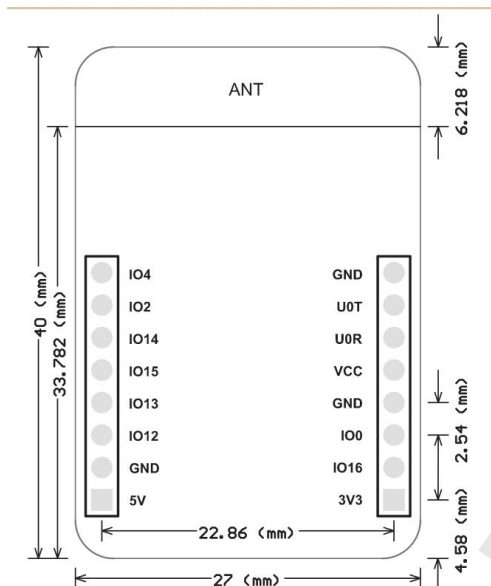


ESP32-CAM Module



Features

- The smallest 802.11b/g/n Wi-Fi BT SoC Module
- Low power 32-bit CPU, can also serve the application processor
- Up to 160MHz clock speed, Summary computing power up to 600 DMIPS
- Built-in 520 KB SRAM, external 4MPSRAM
- Supports UART/SPI/I2C/PWM/ADC/DAC
- Support OV2640 and OV7670 cameras, Built-in Flash lamp.
- Support image WiFi upload
- Support TF card
- Supports multiple sleep modes.
- Embedded Lwip and FreeRTOS
- Supports STA/AP/STA+AP operation mode
- Support Smart Config/AirKiss technology
- Support for serial port local and remote firmware upgrades (FOTA)

Overview

The ESP32-CAM has a very competitive small-size camera module that can operate independently as a minimum system with a footprint of only 27*40.5*4.5mm and a deep sleep current of up to 6mA.

ESP-32CAM can be widely used in various IoT applications. It is suitable for home smart devices, industrial wireless control, wireless monitoring, QR wireless identification, wireless positioning system signals and other IoT applications. It is an ideal solution for IoT applications.

ESP-32CAM adopts DIP package and can be directly inserted into the backplane to realize rapid production of products, providing customers with high-reliability connection mode, which is convenient for application in various IoT hardware terminals.

Product Specifications

Module Model	ESP32-CAM
Package	DIP-16
Size	27*40.5*4.5 (±0.2) mm
SPI Flash	Default 32Mbit
RAM	520KB SRAM +4M PSRAM
Bluetooth	Bluetooth 4.2 BR/EDR and BLE standards
Wi-Fi	802.11 b/g/n/
Support interface	UART、SPI、I2C、PWM
Support TF card	Maximum support 4G
IO port	9
UART Baudrate	Default 115200 bps
Image Output Format	JPEG(OV2640 support only),BMP,GRAYSCALE
Spectrum Range	2412 ~2484MHz
Antenna	Onboard PCB antenna, gain 2dBi
Transmit Power	802.11b: 17±2 dBm (@11Mbps) 802.11g: 14±2 dBm (@54Mbps) 802.11n: 13±2 dBm (@MCS7)
Receiving Sensitivity	CCK, 1 Mbps : -90dBm CCK, 11 Mbps: -85dBm 6 Mbps (1/2 BPSK): -88dBm 54 Mbps (3/4 64-QAM): -70dBm MCS7 (65 Mbps, 72.2 Mbps): -67dBm
Power Dissipation	Turn off the flash lamp:180mA@5V Turn on the flash lamp and turn on the brightness to the maximum:310mA@5V Deep-sleep: Minimum power consumption can be achieved 6mA@5V Moderm-sleep: Minimum up to 20mA@5V Light-sleep: Minimum up to 6.7mA@5V
Security	WPA/WPA2/WPA2-Enterprise/WPS
Power Supply Range	5V
Operating Temperature	-20 °C ~ 85 °C
Storage Environment	-40 °C ~ 90 °C , < 90%RH

Weight	10g
--------	-----

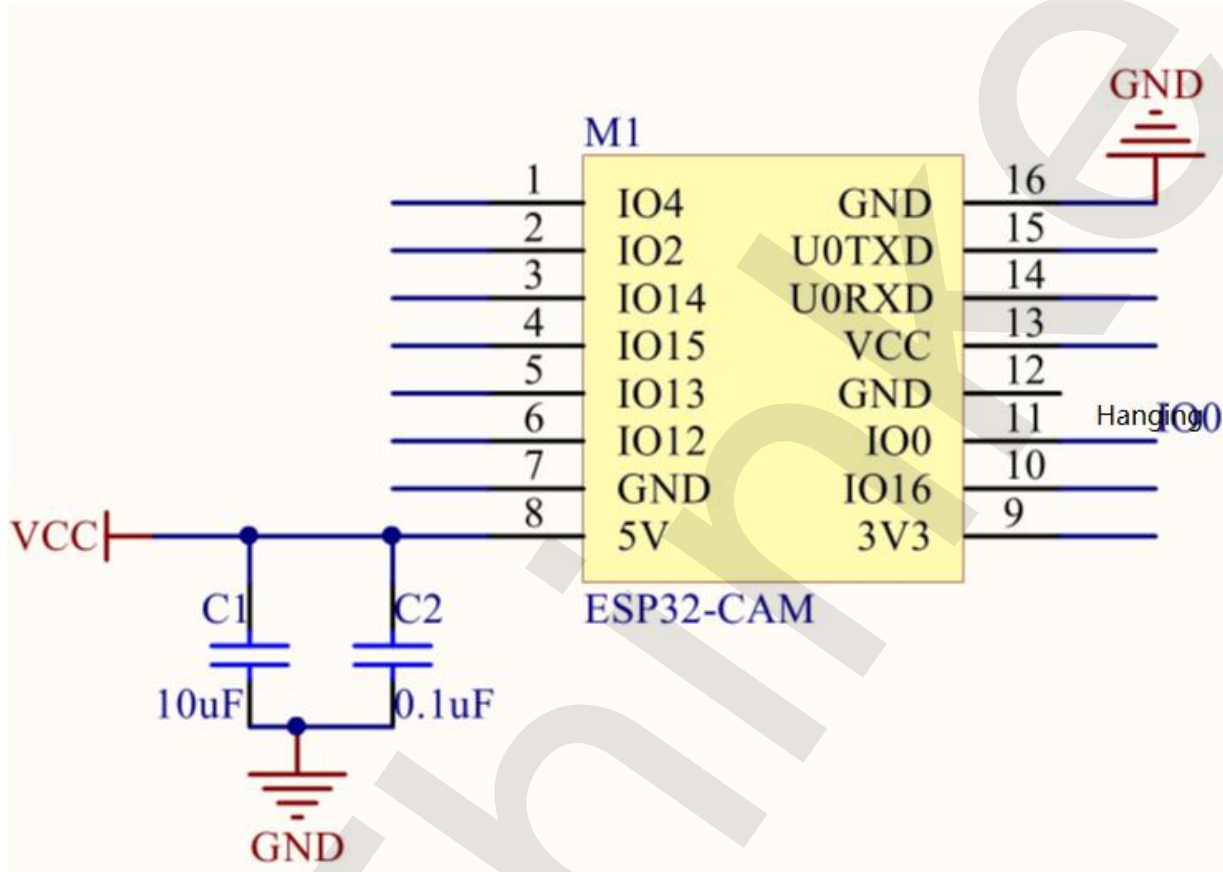
ESP32-CAM module picture output format rate

Format Size	QQVGA	QVGA	VGA	SVGA
JPEG	6	7	7	8
BMP	9	9	-	-
GRAYSCALE	9	8	-	-

Internal Pin Connect

CAM	ESP32	SD	ESP32
D0	PIN5	CLK	PIN14
D1	PIN18	CMD	PIN15
D2	PIN19	DATA0	PIN2
D3	PIN21	DATA1/Flash lamp	PIN4
D4	PIN36	DATA2	PIN12
D5	PIN39	DATA3	PIN13
D6	PIN34		
D7	PIN35		
XCLK	PIN0		
PCLK	PIN22		
VSYNC	PIN25		
HREF	PIN23		
SDA	PIN26		
SCL	PIN27		
POWER PIN	PIN32		

Minimum system diagram



Contact US

Shenzhen Ai-Thinker Technology Co., Ltd

Address: 7/F, Fengze Building B, Huafeng Industrial Park 2th, Hangkong street, Xixiang Raod, Baoan, Shenzhen China

Website: www.ai-thinker.com

Tel: 0755-29162996

E-mail: support@aitinker.com